

# instantTrust

MARINE



[www.instanttrustmarine.com](http://www.instanttrustmarine.com)



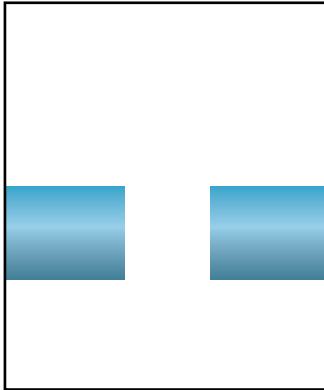
INSTALLATION MANUAL

# Connecting the water inlet and outlet.

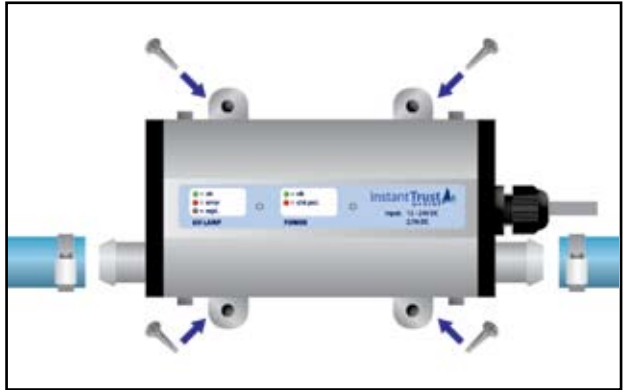


## ATTENTION!

Before you begin the following steps you must shut off the water supply to prevent flooding. Make sure your water hose diameter fits the water connection nipples of the InstantTrust Marine. The standard nipples are suitable for a hose diameter of 20 mm. A reducer set for a smaller hose diameter is available through: [www.instanttrustmarine.com](http://www.instanttrustmarine.com)  
Attention: Residual water may drain out of the line.  
At temperatures below freezing, drain the water from the InstantTrust Marine to prevent possible damage.



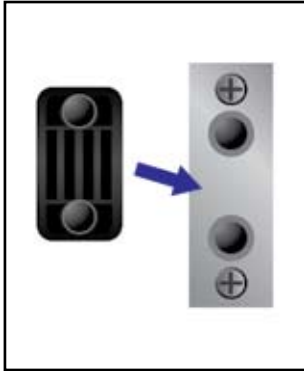
1. Cut the water hose and remove a section so the InstantTrust Marine fits well.



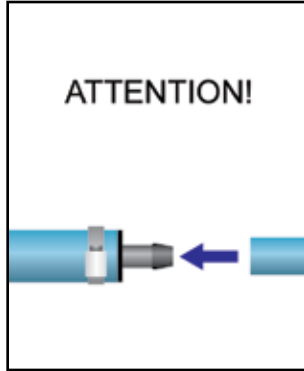
2. Place the InstantTrust Marine at the correct height. Make sure the connection nipples are horizontally aligned with the water hose. Make sure the InstantTrust Marine is level. Then screw the unit to the wall.



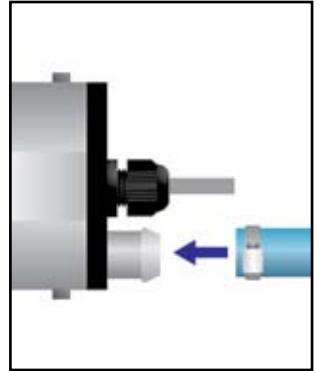
3. Place the metal plate parts of the hose clamps at the correct height (horizontally) in line with the water hoses and connection nipples. Ensure that the metal plate parts of the hose clamps are placed 15 to 20 cm from the InstantTrust Marine. Then screw the plates in place.



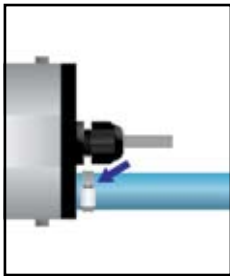
**4.** Place the bottom half of the hose retainer clamp on the metal plate.



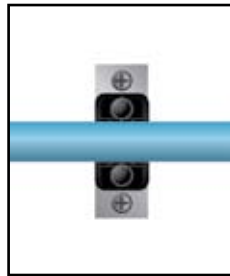
**5a.** If your water hose has a smaller diameter you can order a reducer coupling through the [www.instanttrustmarine.com](http://www.instanttrustmarine.com) website.



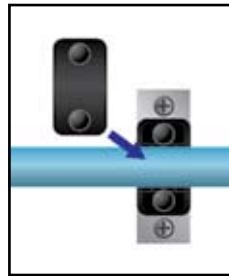
**5b.** Slide the water hose over the connection nipple.



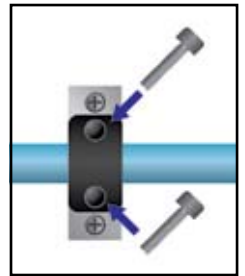
**6.** Tighten the hose clamp until the water hose is securely attached to the unit.



**7.** Push the water hose firmly into the hose clamp holder.



**8.** Place the upper part of the hose clamp over the hose.



**9.** Tighten the upper part of the hose clamp in place.



# Connecting the power.



## ATTENTION!

Before you begin the following steps you must shut off the power supply to prevent a possible short circuit. Install the Instant Trust Marine on a plastic or waterproof wooden backplate.

**Attention:** Make sure the housing does not make contact with metal parts of the boat. **Note:** For the battery connection to the water pump use wire with conductors having a diameter of at least 0.5 mm up to 2 metres in length. Ensure that the wires to the battery terminals on the water pump are securely connected.

## 1. Electrical connection of the InstantTrust Marine

See: figure A or figure B for the schematic overview.

The InstantTrust Marine is protected against incorrect connection of the voltage and the pump switch.

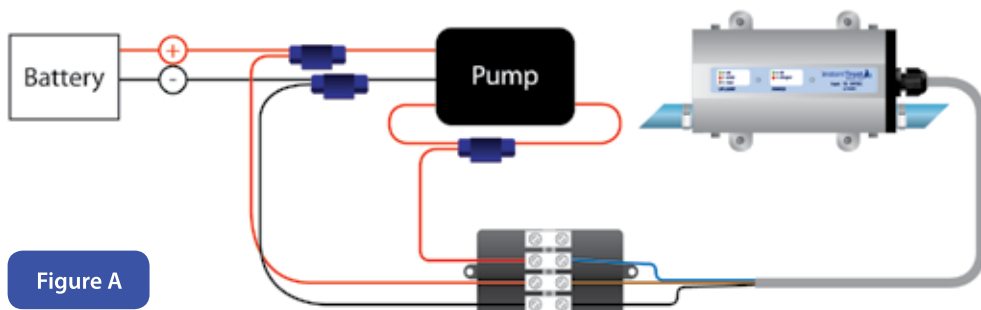


Figure A

With pump switch

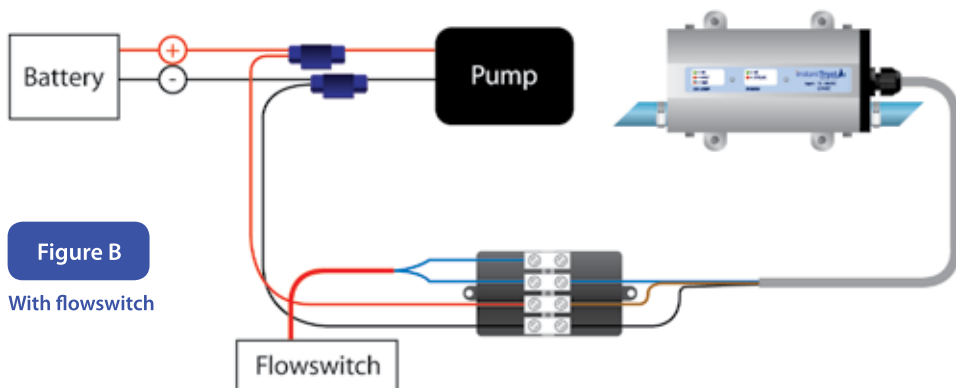
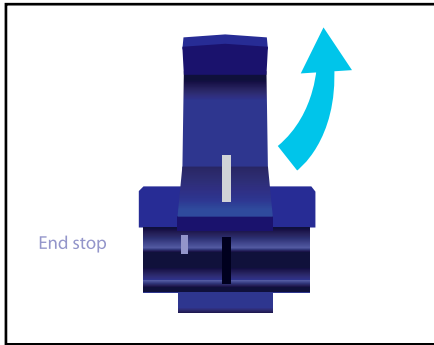


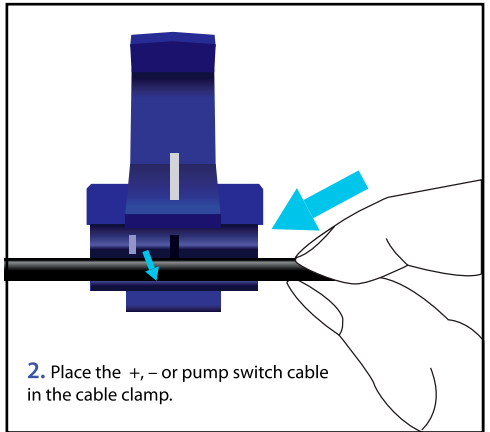
Figure B

With flowswitch

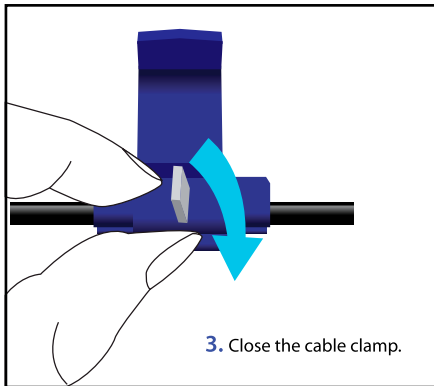
## Installation of the cable clamp:



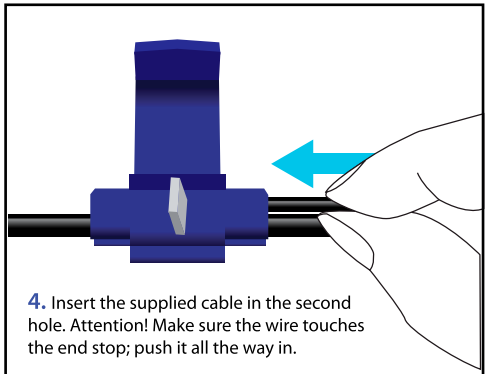
1. Open the cable clamp.



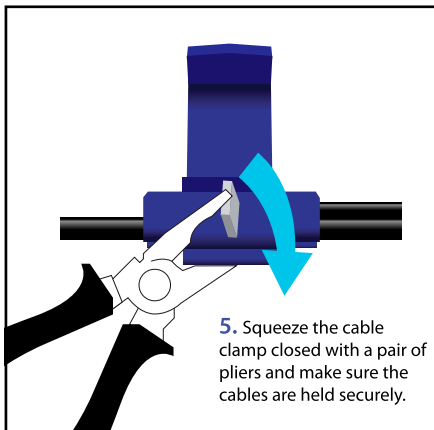
2. Place the +, - or pump switch cable in the cable clamp.



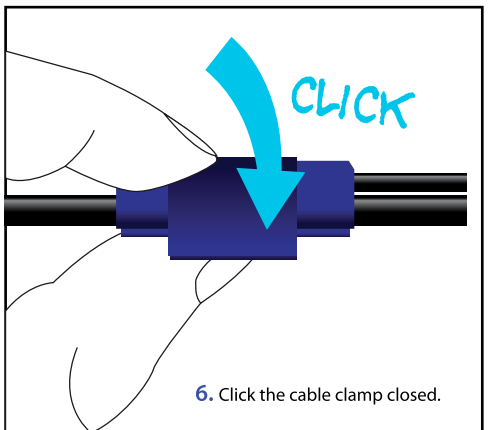
3. Close the cable clamp.



4. Insert the supplied cable in the second hole. Attention! Make sure the wire touches the end stop; push it all the way in.



5. Squeeze the cable clamp closed with a pair of pliers and make sure the cables are held securely.



6. Click the cable clamp closed.

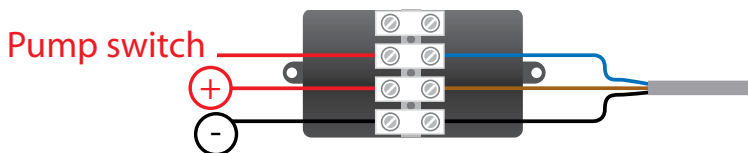
## 2. Connecting the cables (with pump switch)

Connect the negative (-) and positive (+) terminal of the battery connection on the water pump to the - and + of the InstantTrust.

Connect the switched connection of the pump switch to the pump switch input of the InstantTrust. (See: figure C)

Figure C

With pump switch



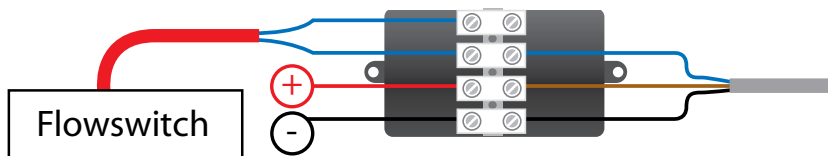
## 3. Connecting the cables (with flow switch)

Connect the negative (-) and positive (+) terminal of the battery connection on the water pump to the - and + of the InstantTrust. (See: figure B)

Connect the two wires of the flow switch to the other two terminals of the terminal block. (See: figure D)

Figure D

With flowswitch



The flow switch can be ordered at:  
[www.instanttrustmarine.com](http://www.instanttrustmarine.com)

### ATTENTION: do not forget!

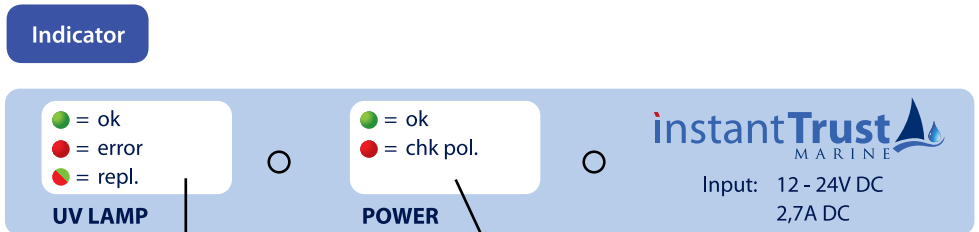
After connecting all the cables, place the cover on the junction box so it fits correctly on the terminal block and tighten it firmly so it is properly sealed.

#### 4. Power indicator

The LED POWER indicator, which is located on top of the InstantTrust, indicates whether the power supply and pressure switch are properly connected. Start by connecting the battery.

- A green LED indicates that the power supply is properly connected.
- A red LED indicates that you must reverse the battery connections on the water pump.
- No indication means that the battery connection on the pump is incorrectly connected (See: Indicator)

Now connect the pump switch.



#### UV lamp indicator LED

##### Lit green continuously:

Status: OK

*The UV lamp is switched on and working properly.*

##### Lit red continuously:

Status: problem

*The UV lamp is not switched on; no water is detected in the UV lamp.*

##### Flashing red/green

Status: problem

*The supply voltage to the InstantTrust Marine is too low and therefore the unit is not functioning optimally.*

#### Power indicator LED

##### Lit green continuously:

Status: OK

*The supply voltage at the battery connection on the water pump is properly connected to the power supply.*

##### Lit red continuously:

Status: problem

*The power supply is not properly connected to the power supply; reverse the polarity (+ and -) of the battery connection on the water pump.*

##### No indication

Status: problem

*The InstantTrust Marine UV lamp is not connected or not properly connected to the power supply and/or pump switch.*

#### ATTENTION:

- Check whether the system works by opening a water tap (the UV lamp indicator LED lights up green).
- Make sure the UV lamp indicator LED also goes off when the tap is closed.

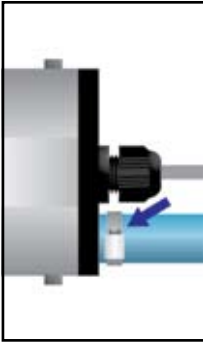
# Replacing the UV lamp



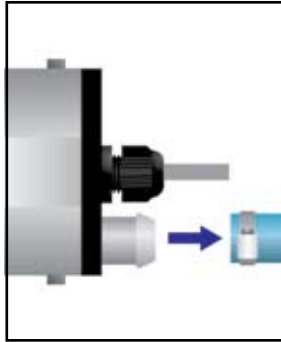
## ATTENTION!

Before you begin the following steps you must shut off the water supply to prevent flooding. Note: Residual water may drain out of the line.

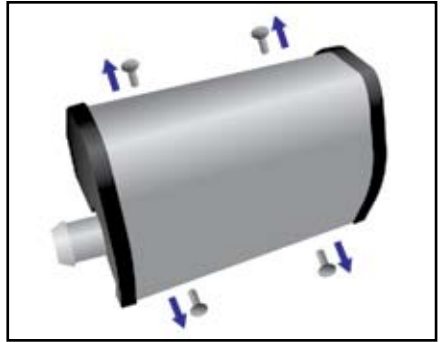
The UV lamp can be ordered exclusively through:  
[www.instanttrustmarine.com](http://www.instanttrustmarine.com)



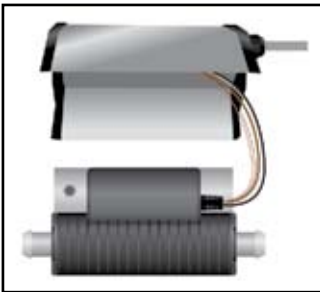
1. Loosen the hose clamp so the water hose can be easily removed from the unit.



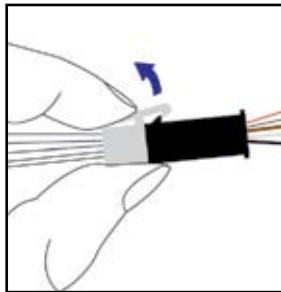
2. Slide off the water hose.



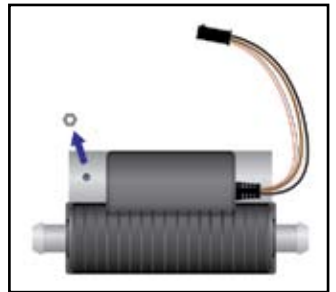
3. Loosen the four socket-head screws at the bottom so the cover can be removed from the unit.



4. Place the cover next to the device.  
**Note:** Do this carefully, because there are some wires connected to the cover.

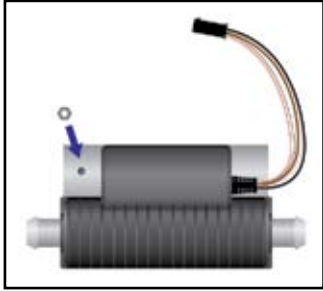


5. Release the connector by squeezing it.

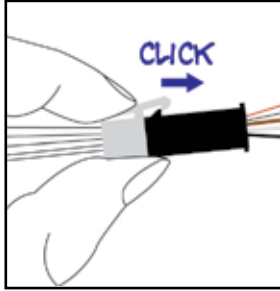


6. Loosen the nut and replace the UV lamp.

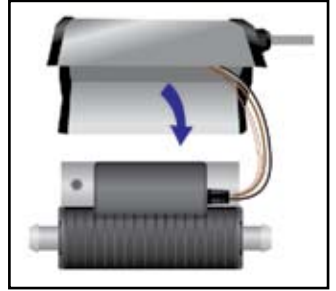




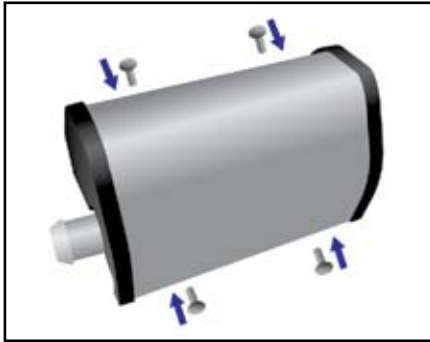
7. Tighten the nut firmly.



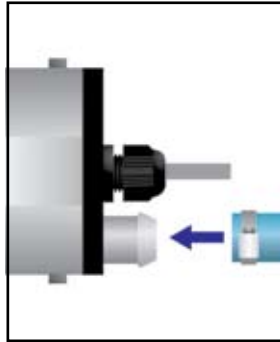
8. Connect the plug by clicking it together.



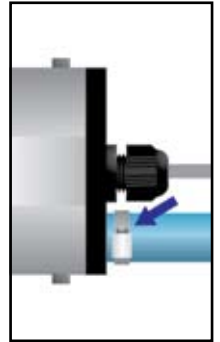
9. Place the cover on the unit.  
**Note:** Do this carefully, because there are some wires connected to the cover.



10. Tighten the four socket-head screws at the bottom so the cover is attached securely again.



11. Slide the water hose onto the nipple.



12. Tighten the hose clamp securely.

All spare/replacement parts can be ordered through:

[www.instanttrustmarine.com](http://www.instanttrustmarine.com)

# Technical specifications:

## Electrical:

Input voltage:	12-24V
Maximum current consumption during use	2.2A@12V; 1.3A@24V
Maximum current consumption in stand-by	25mA (0.0025A)
UV lamp:	Philips type InstantTrust 2.7A@9V

## Mechanical:

Body dimensions (excluding hoses and fittings):	HxWxD: 150x90x90 mm
Weight:	0.85 kg
Suitable for hose diameter:	20 mm

*A reducer set for a smaller hose diameter can be ordered through: [www.instanttrustmarine.com](http://www.instanttrustmarine.com)*

## EMC/CE

The Instant Trust Marine has been tested according to EMC / CE requirements in: Electrical and electronic installations in ships – electromagnetic compatibility as well as the recreation craft Directive 94/25/EC of the European Parliament and of the Council of 16 June 1994 and IEC CISPR 25, edition 3.0: Vehicles, boats and internal combustion engines –Radio disturbance characteristics. The Instant Trust Marine meets the requirements of IEC 60533 4th ed. 2002-08

## Service life of UV lamp:

The InstantTrust Marine will function optimally for around 3 years, based on normal use. This assumes a total consumption of around 50,000 litres of water. The UV LED indicator will flash red after 30,000 litres of use. The UV lamp will then still provide 20,000 litres of optimal use. After the total consumption of 50,000 litres of water, the lamp will function less effectively.

All spare/replacement parts can be ordered through:

[www.instanttrustmarine.com](http://www.instanttrustmarine.com)



## InstantTrust Marine

Ekkersrijt 7418  
5692 HK Son - The Netherlands  
Tel. +31(0)499 462929  
Fax +31(0)499 462925  
E-mail: [info@instanttrustmarine.nl](mailto:info@instanttrustmarine.nl)

For more information visit:

[www.instanttrustmarine.com](http://www.instanttrustmarine.com)